

Doc M changing room pack with stainless steel concealed fixing grab rails



Product details

Warranty:	See individual products
Max rated load:	See individual products
Doc M compliant:	Yes
Suitable for wet areas:	Yes

Features

- Complies with Part M of the Building Regulations
- Concealed fixing stainless steel grab rails
- All components are available as individual products
- Simple one box solution

Finish options



Satin
Stainless Steel



Polished
Stainless Steel

Product description

Product code

Doc M changing room pack, stainless steel, concealed fixings, satin	230401/SS
Doc M changing room pack, stainless steel, concealed fixings, polished	230401/SP

Disclaimer

NYMAS Group makes every effort to ensure that the information provided on this data sheet is correct. However, we cannot guarantee this, and accept no liability for any information or advice given on this data sheet.

Stainless steel lift and lock hinged support rail



Product details

Warranty:	5 years
Max rated load:	135 kg
Doc M compliant:	Yes
Suitable for wet areas:	Yes

Features

- Complies with Part M of the Building Regulations
- Lift and lock folding mechanism
- Non-corrosive stainless steel construction
- Toilet roll holder (optional)

Finish options



White
RAL 9016



Dark blue
RAL 5011



Dark grey
RAL 7016



Grey
RAL 7005



Satin
Stainless Steel



Polished
Stainless Steel

Product description

Hinged lift and lock support rail, stainless steel, 650mm
Hinged lift and lock support rail, stainless steel, 800mm,

Product code

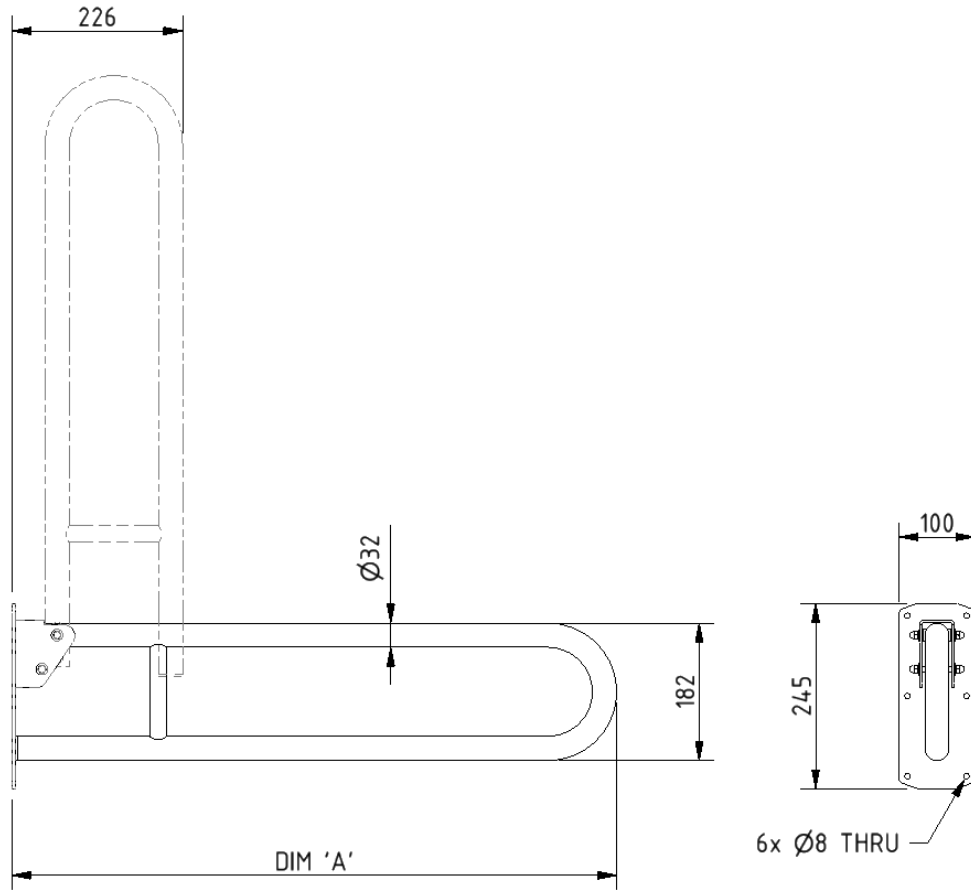
211865/**
211880/**

Replace ** with finish option code above e.g., 211880/DB

Disclaimer

NYMAS Group makes every effort to ensure that the information provided on this data sheet is correct. However, we cannot guarantee this, and accept no liability for any information or advice given on this data sheet.

Dimensions (mm)



PRODUCT CODE	211865/**	211880/**
DIM 'A'	650	800

Round flange stainless steel grab rail with concealed fixings, 32mm diameter



Product details

Warranty: 5 years

Max rated load: 200 kg

Doc M compliant: Yes

Suitable for wet areas: Yes

Features

- Non-corrosive stainless steel construction
- Concealed fixings
- Complies with Part M of the Building Regulations

Finish options



Satin
Stainless Steel



Polished
Stainless Steel

Product description

Grab rail, stainless steel, concealed fixings, 32mm diameter, 300mm, polished
 Grab rail, stainless steel, concealed fixings, 32mm diameter, 300mm, satin
 Grab rail, stainless steel, concealed fixings, 32mm diameter, 450mm, polished
 Grab rail, stainless steel, concealed fixings, 32mm diameter, 450mm, satin
 Grab rail, stainless steel, concealed fixings, 32mm diameter, 600mm, polished
 Grab rail, stainless steel, concealed fixings, 32mm diameter, 600mm, satin
 Grab rail, stainless steel, concealed fixings, 32mm diameter, 900mm, polished
 Grab rail, stainless steel, concealed fixings, 32mm diameter, 900mm, satin

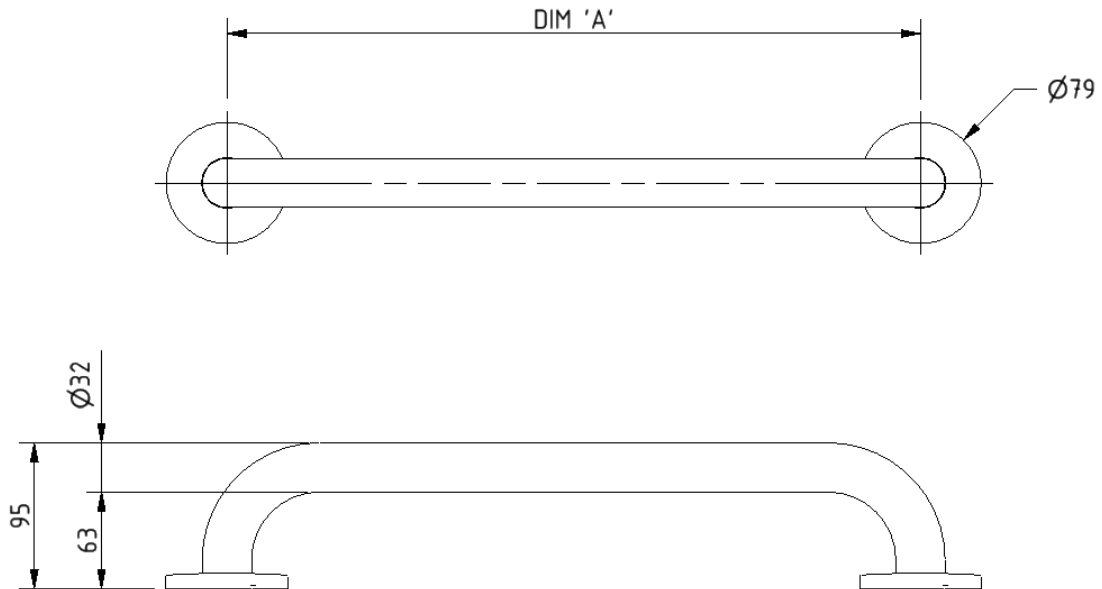
Product code

GR-12/32C/SP
 GR-12/32C/SS
 GR-18/32C/SP
 GR-18/32C/SS
 GR-24/32C/SP
 GR-24/32C/SS
 211090/SP
 211090/SS

Disclaimer

NYMAS Group makes every effort to ensure that the information provided on this data sheet is correct. However, we cannot guarantee this, and accept no liability for any information or advice given on this data sheet.

Dimensions (mm)



PRODUCT CODE	GR-12/32C**	GR-18/32C**	GR-24/32C**	211090/**
DIM 'A'	300	450	600	900

Wall mounted padded Doc M shower seat



Product details

Warranty:	5 years
Max rated load:	250kg
Doc M compliant:	Yes
Suitable for wet areas:	Yes

Features

- Complies with Part M of the Building Regulations
- Extended projection to allow easier side transfer from wheelchair
- Non-corrosive Aluminium and stainless frame
- Durable clip on plastic seat
- Adjustable height
- Drainage holes for easy drain
- Back support for optimum comfort
- Closed cell polyurethane pad for maximum hygiene and comfort

Finish options



Dark blue
RAL 5011



Grey
RAL 7005

Product description

Doc M shower seat, 650mm projection, white frame, dark blue pads

Doc M shower seat, 650mm projection, white frame, grey pads

Product code

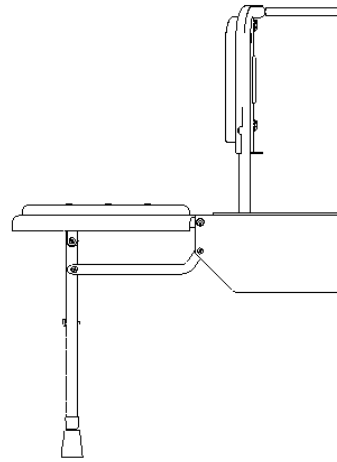
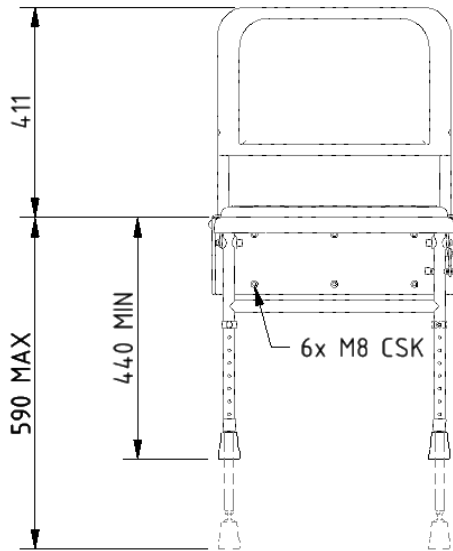
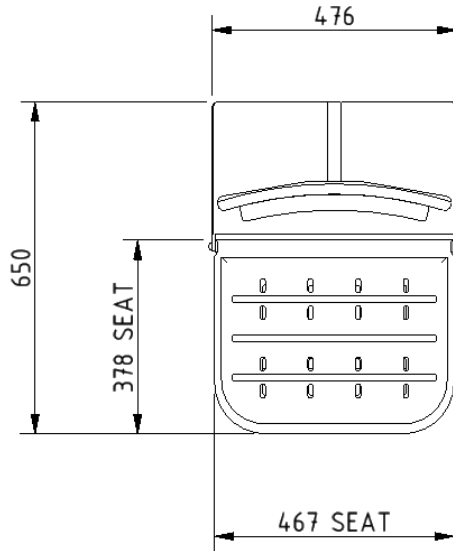
SB-085/DB

SB-085/GY

Disclaimer

NYMAS Group makes every effort to ensure that the information provided on this data sheet is correct. However, we cannot guarantee this, and accept no liability for any information or advice given on this data sheet.

Dimensions (mm)



Single aluminium robe hook



Product details

Warranty:	2 years
Max rated load:	n/a
Doc M compliant:	Yes
Suitable for wet areas:	Yes

Features

- Aluminium construction
- Colour options available for visually impaired
- Complies with Part M of the Building Regulations

Finish options

WH

White
RAL 9016

DB

Dark blue
RAL 5011

DG

Dark grey
RAL 7016

GY

Grey
RAL 7005

Product description

- Single robe hook, aluminium, dark blue (RAL 5011)
- Single robe hook, aluminium, dark grey (RAL 7016)
- Single robe hook, aluminium, grey (RAL 7005)
- Single robe hook, aluminium, white (RAL 9016)

Product code

- 141701/DB
- 141701/DG
- 141701/GY
- 141701/WH

Disclaimer

NYMAS Group makes every effort to ensure that the information provided on this data sheet is correct. However, we cannot guarantee this, and accept no liability for any information or advice given on this data sheet.

Dimensions (mm)

